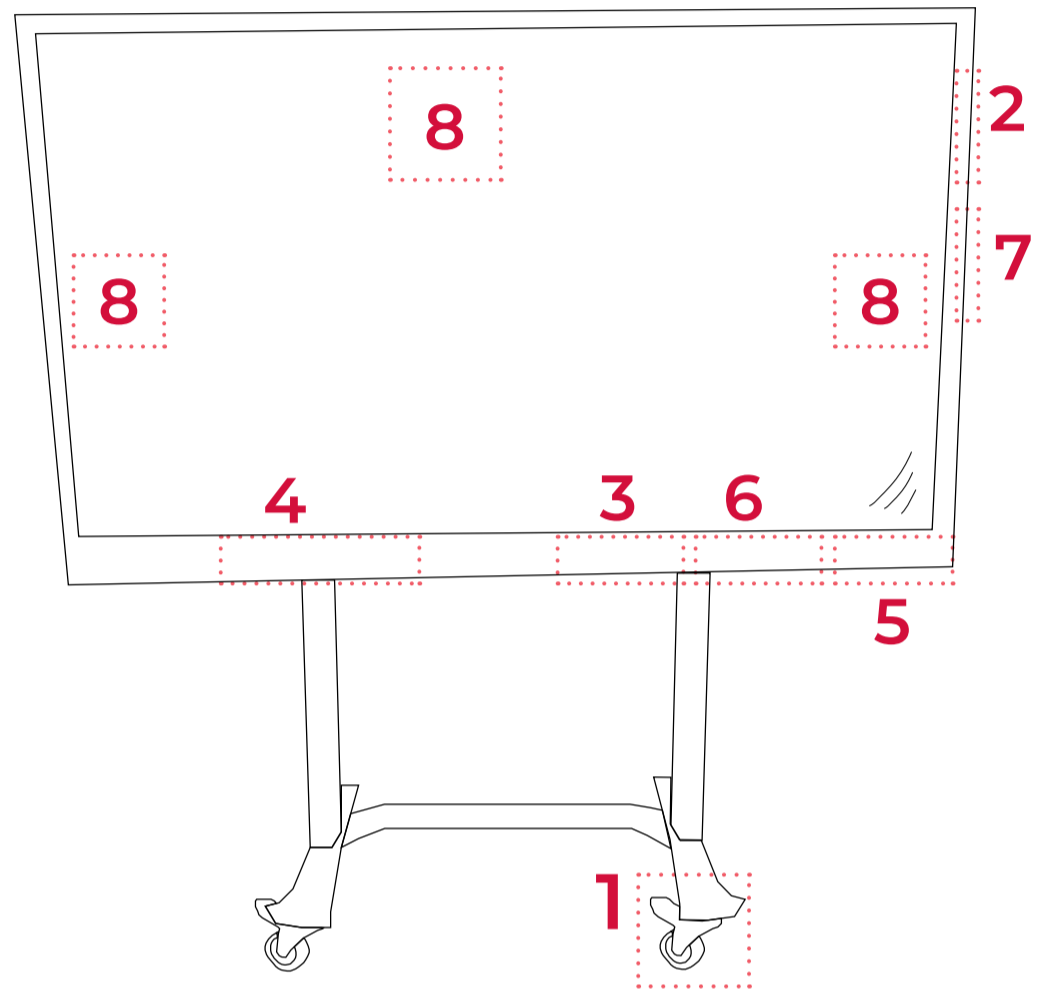


# Quick start guide

## Smart MX v2 - MLD

**i** Key functions

1. Wheel locks	5. Main power switch (on rear)
2. Height controls (on rear)	6. Volume controls
3. Power button	7. Mini PC (on rear)
4. Inputs	8. On-screen menu



### Placement and height

Move the Main Learning Display (MLD) to where needed and lock the wheels by pressing the locking lever down (1). Adjust the height of the screen using the arrow controls on the side/back of the screen (2).

### Display and inputs

Turn on the display (3). If connecting a laptop, plug in the USB-C or HDMI/USB touch cables at the front of the screen (4).

If no image appears, check the power cord is connected to a power point and is turned on, and the main power switch at the rear of the display is turned on (5).

If no sound is heard, check the volume is turned up to an appropriate level (6).

### Mini PC and source selection

Turn on the Mini PC on the back of the MLD (7). Log in to the Mini PC using the wireless keyboard stored behind the display, or choose your source (i.e. your laptop) using the on-screen menu (8) or source button on the remote control.